

## Side Break Parallel Type SBP

### Copper

1200 & 1600 A

### Pacific Air Break Switch Technology

**PASCOR** offers versatility and reliability in its entire line of group operated switches. Ideal for either substation or transmission applications, **PASCOR** switches are engineered to the highest standards to meet ANSI requirements. **PASCOR** customizes controls on each switch to suit the application.

### Side Break Parallel

- Manufactured in copper
- Requires minimum overhead clearance

### Application: Substation & Transmission

- Horizontal upright
- Vertical
- Underhung

### Standard Features

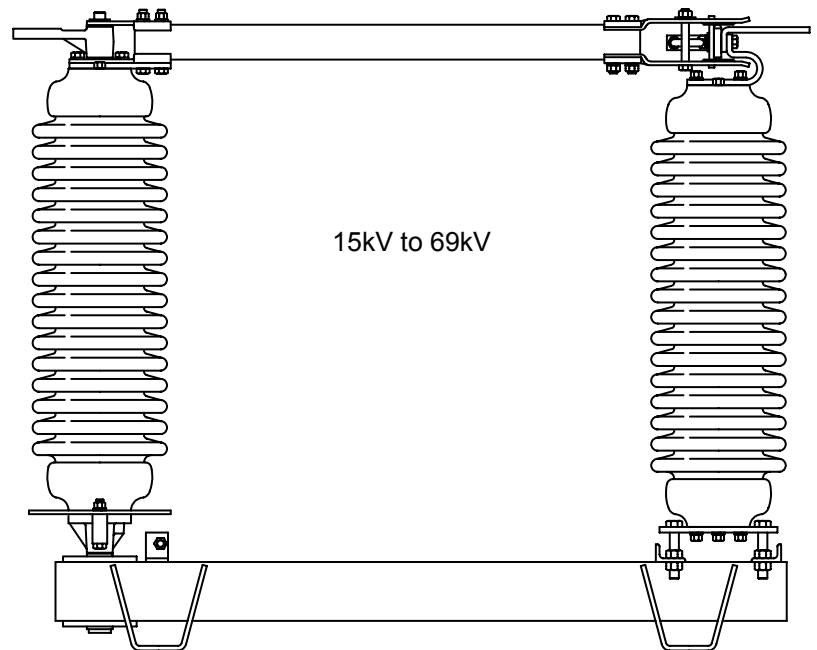
- 1/2" Stainless Steel arcing horns
- Leaf type contact fingers with stainless steel backup springs
- Silver-to-silver exposed contacts
- Rigid tubular blades
- Stainless steel live parts hardware
- Galvanized steel square tube base
- Stainless steel ball bearings

### Operator Option

- Swing handle
- Worm gear
- Motor operator

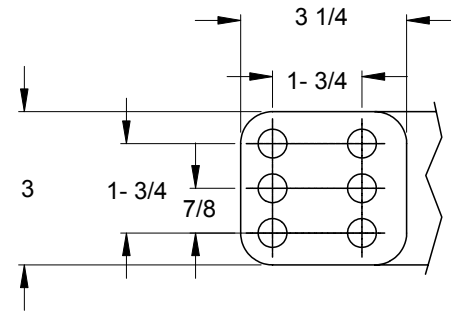
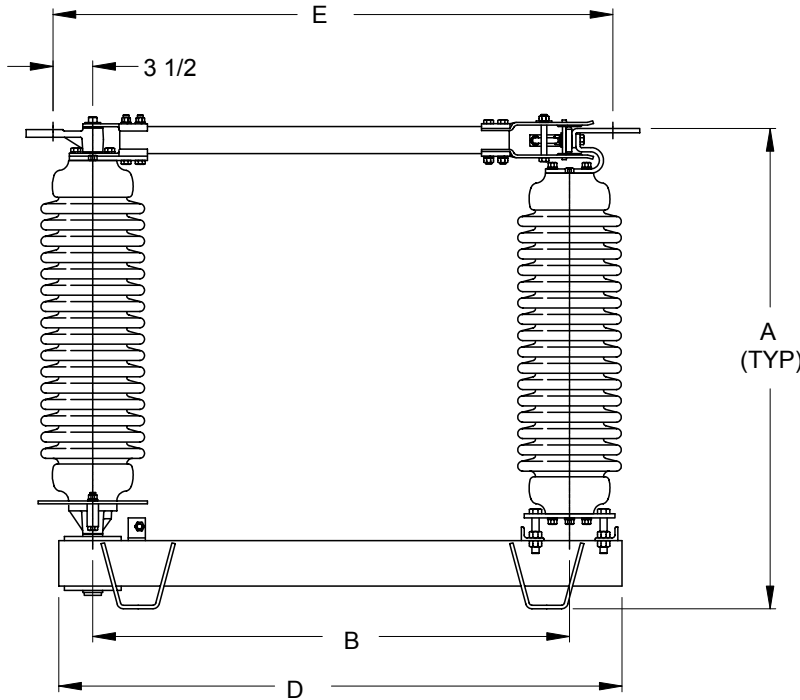
### Accessories

- Whip type horns
- Single vacuum bottle interrupters
- Ground switches

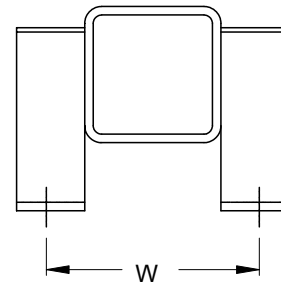


# SBPC Side Break Parallel Copper

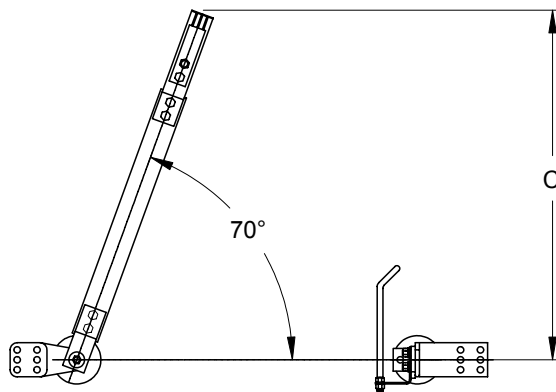
pascor



**TERMINAL PAD DETAILS**  
ANSI Standard Hole Pattern  
9/16 diameter holes  
(Center holes for 600A connector)



**BASE CROSS SECTION**  
ANSI STANDARD MOUNTING "W"  
15 - 69kV 6 1/4"



**BLADE OPEN POSITION**

kV (nom)	kV BIL	Amps Continuous	kA Mom.	STD. INSUL.	INSUL. BC (IN)	INSUL. HGT (IN)	Dimensions are in inches					
							A	B	C	D	E	F*
15	110	1200/1600	61/70	TR205	3	10	22 <sup>1/4</sup>	15	17	22 <sup>3/4</sup>	22 <sup>5/16</sup>	705
23	150	1200/1600	61/70	TR208	3	14	26 <sup>1/4</sup>	18	19 <sup>3/4</sup>	25 <sup>3/4</sup>	25 <sup>5/16</sup>	774
34.5	200	1200/1600	61/70	TR210	3	18	30 <sup>1/4</sup>	24	25 <sup>1/2</sup>	31 <sup>1/2</sup>	31 <sup>5/16</sup>	852
46	250	1200/1600	61/70	TR214	3	22	34 <sup>1/4</sup>	30	31	37 <sup>3/4</sup>	37 <sup>5/16</sup>	996
69	350	1200/1600	61/70	TR216	3	30	42 <sup>1/4</sup>	42	42 <sup>1/2</sup>	49 <sup>3/4</sup>	49 <sup>5/16</sup>	1212

\*Weights are in lbs., and include 3 phases, insulators and controls

Pacific Air Switch Corporation

P.O. Box 328 , 2615 23<sup>rd</sup> Avenue, Forest Grove, OR 97116, (503) 359-3939, Fax: (503) 357-0858