



Center Break Parallel Type CBP

Aluminum or Copper

2000A

Pacific Air Break Switch Technology

PASCOR offers versatility and reliability in its entire line of group operated switches. Ideal for either substation or transmission applications, **PASCOR** switches are engineered to the highest standards to meet ANSI requirements. **PASCOR** customizes controls on each switch to suit the application.

Center Break Parallel

- Manufactured in either aluminum or copper
- Requires minimum overhead clearance

Application: Substation & Transmission

- Horizontal upright
- Vertical
- Underhung

Standard Features

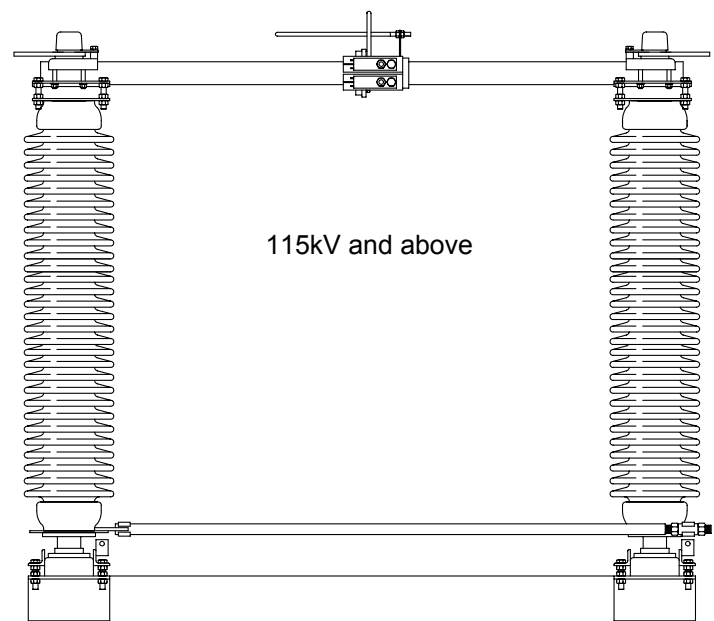
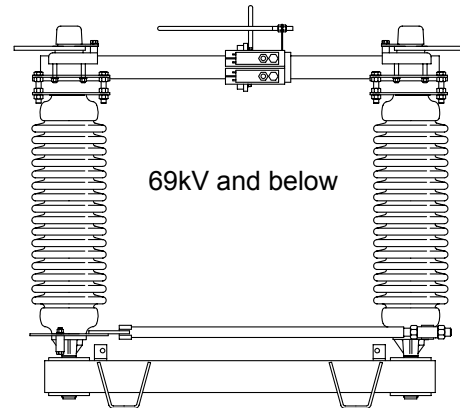
- 1/2" Stainless Steel arcing horns
- Leaf type contact fingers with stainless steel backup springs
- Silver-to-silver exposed contacts
- Rigid tubular blades
- Stainless steel live parts hardware
- Galvanized steel square tube base
- Stainless steel ball bearings

Operator Option

- Swing handle
- Worm gear
- Motor operator

Accessories

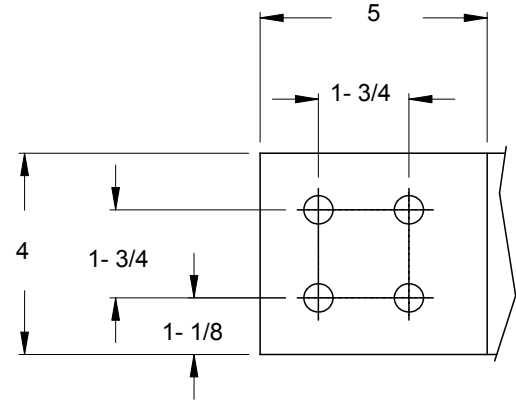
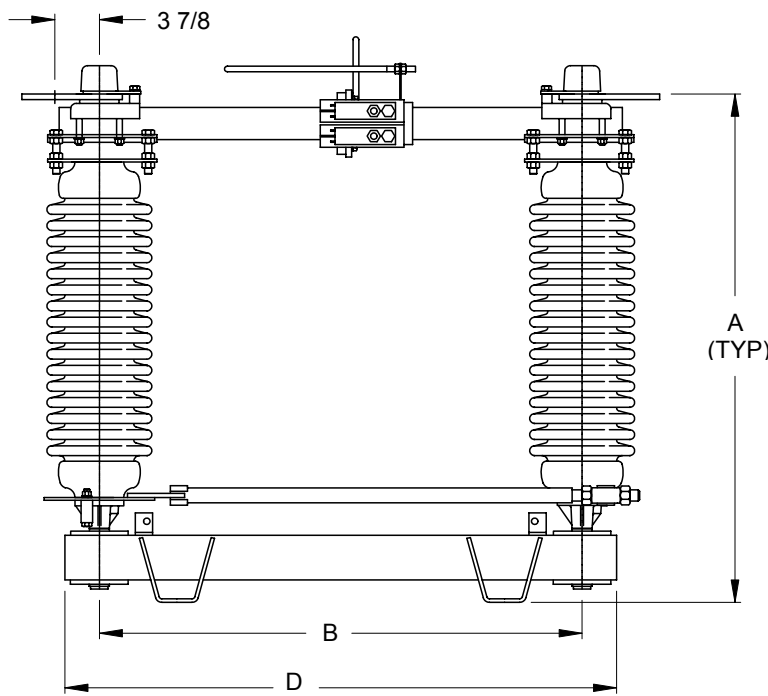
- Whip type horns
- Single vacuum bottle interrupters
- Ground switches



CBPA Center Break Parallel Aluminum

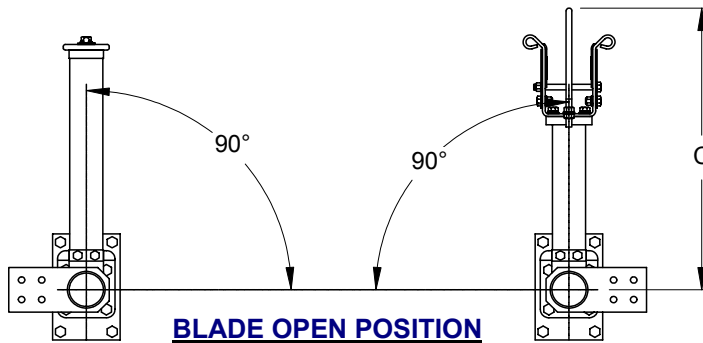
CBPC Center Break Parallel Copper

pascor

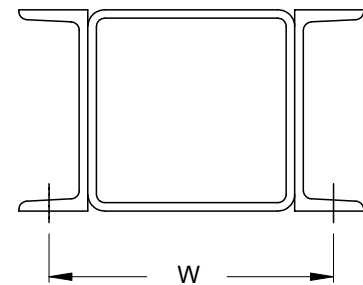


TERMINAL PAD DETAIL

ANSI Standard Hole Pattern
9/16 diameter holes



BLADE OPEN POSITION



BASE CROSS SECTION

ANSI STANDARD MOUNTING "W"

15 - 69kV 6 1/4"
115 - 161kV 8 1/4"
230kV 8 1/4" or 12 1/2"

kV (nom)	kV BIL	Amps Continuous	kA Mom.	STD. INSUL.	INSUL. BC (IN)	INSUL. HGT (IN)	Dimensions are in inches				
							A	B	C	D	E*
15	110	2000	100	TR205	3	10	25 1/2	24	17	30	900
23	150	2000	100	TR208	3	14	29 1/2	24	17	33	960
34.5	200	2000	100	TR210	3	18	33 1/2	24	17	34	1026
46	250	2000	100	TR214	3	22	37 1/2	30	21	36	1158
69	350	2000	100	TR216	3	30	45 1/2	42	31 1/2	52	1290
115	550	2000	100	TR286	5	45	62 3/4	60	41	70	1638
138	650	2000	100	TR288	5	54	71 3/4	72	47	82	1782
161	750	2000	100	TR291	5	62	84 1/4	84	51	94	2172
230	900	2000	100	TR304	5	80	102 1/4	96	57	108	2400

*Weights are in lbs., and include 3 phases, insulators and controls

Pacific Air Switch Corporation

P.O. Box 328 , 2615 23rd Avenue, Forest Grove, OR 97116, (503) 359-3939, Fax: (503) 357-0858