



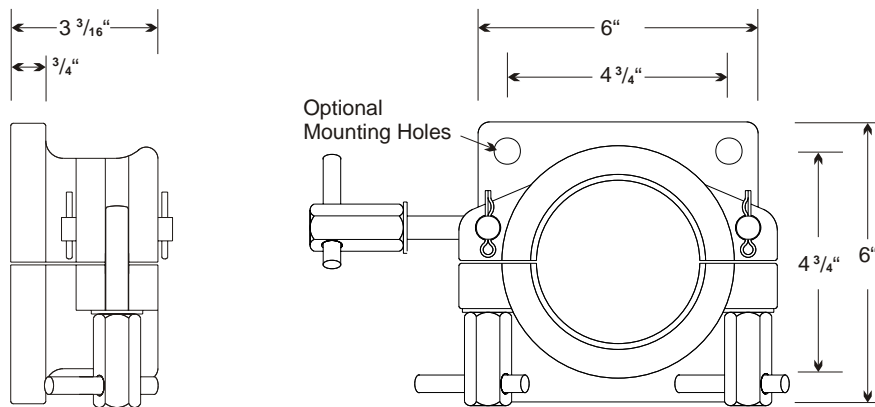
SPLIT STRAIN RELIEF ENTRANCE FITTINGS

The split strain relief entrance fitting is ideally suited for installations where trailing cable couplers are not being used, but where cables may be installed and removed frequently. The split design means that the entrance fitting can be installed or removed without disturbing the stress cones, sleeves or taping which makes up the cable termination. Cables can be installed and removed quickly. The strain relief entrance fitting is tightened to provide a positive clamp on the cable. No tools are required. Pilot holes are provided on the flange to permit field drilling and fastening of the strain relief fitting to the enclosure. Split strain relief entrance fittings are available in 6 sizes which cover cable outside diameters from 2.76 to 3.50" (70 to 89 mm).

Outside Cable Diameter		Patton & Cooke Catalog Number
(mm)	(in)	
70 - 72	2.76 - 2.87	11W-040-D-U
73 - 76	2.88 - 3.00	11W-040-D-V
77 - 79	3.01 - 3.12	11W-040-D-W
80 - 82	3.13 - 3.25	11W-040-D-X
83 - 85	3.26 - 3.37	11W-040-D-Y
86 - 89	3.38 - 3.50	11W-040-D-Z

ORDERING PROCEDURE:

1. Determine the cable outside diameter.
2. Select the catalog number of the split strain relief entrance fitting.



SPLIT STRAIN RELIEF ENTRANCE FITTING

For other outside cable diameters or for variations to the design contact Patton & Cooke.